



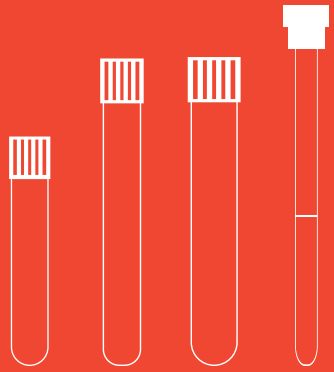
Vacuum • Non-Vacuum • Glass • Pet

# BLOOD COLLECTION TUBES

CHANGSHA RENJI MEDICAL EQUIPMENT CO., LTD.

[WWW.RENJIGROUP.COM](http://WWW.RENJIGROUP.COM)

# TABLE OF CONTENTS



Company Profile .....	03
Workshop .....	04
Product Category .....	05
Useful Tips .....	06
Clot Activator .....	07
Gel & Clot Activator .....	08
K2EDTA .....	09
K3EDTA .....	10
Lithium Heparin .....	11
Sodium Heparin .....	12
EDTA+NAF .....	13
Sodium Citrate .....	14
ESR .....	15
No Additive .....	16
Non Vacuum Blood Collection Tubes & Micro Blood Collection Tubes .....	17
Labels .....	18
Product photo .....	19
Package .....	20

# Company Profile



“ALL-CHINA FEDERATION OF INDUSTRY&COMMERCE MEDICAL &PHARMACEUTICAL INDUSTRY CHAMBER” GOVERNING UNIT  
 “WHITE LIST” ENTERPRISE OF THE MINISTRY OF COMMERCE MEDICAL MATERIAL EXPORT

Changsha Renji Medical Equipment Co., Ltd. is a medical consumable products industrial chain company with developing and manufacturing a complete product line for molecular laboratories, ranging from upstream consumable medical products, nucleic acid extraction kits and full automatic instruments to downstream real time PCR diagnostic & research kits and fluorescence systems.

Based on innovative R&D center in Changsha, China, Renji understands its capability and social responsibility to offer molecular diagnostic products consistent in quality, accurate and reliable in test results, easy to use and accessible to laboratories of all levels despite their variety in lab environment. Renji is gradually winning its reputation all over the world through growing influence on popularizing RT-PCR technologies towards they are supposed to be as affordable and accessible human health care means.

In the future, “RENJI” will be committed to integrating the development of enterprise into the national health industry development strategy, building a new pattern of innovation and development and building a new high ground of modern medical plastics industry chain. “RENJI” will bear in mind the original intention that quality is the survival foundation of enterprise and product is equal to people’s charter to build “RENJI” brand and make progress hands in hands with counterparts at home and abroad for contribution to the human health.



Renji Blood Collection Tube Ce Certificate

# Workshop



## Injection Workshop

We have our own mold research and development team and more than ten years of experience in the production of medical plastic products.



## Production Workshop

Labeling, filling, drying, vacuuming, capping and other processes are completed by automated machines.



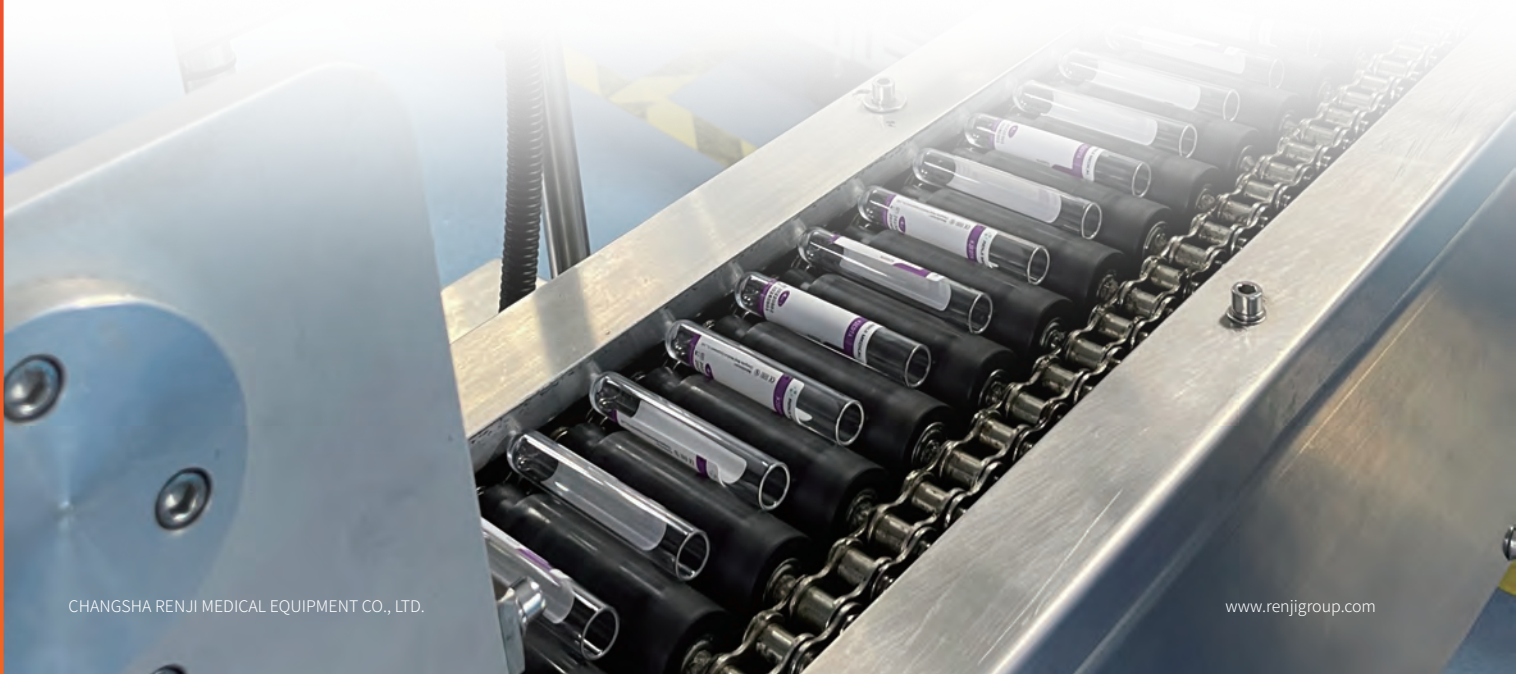
## R & D Center

Renji has its own R&D team and laboratory. At the same time, our quality inspection department will carry out strict product quality supervision.



# Product Category

Category	Tube Name	Additive	Cap Colour	Tube Size(mm)	Draw Volume (mL)	Material
Serum Blood Collection Tubes	No Additive	No Additive	 Red	13x75	3.5/4	Glass/Plastic
				13x100	5/6/7	
				16x100	8/9/10	
	Clot Activator	Clot Activator	 Red	13x75	3.5/4	Glass/Plastic
				13x100	5/6/7	
				16x100	8/9/10	
	Gel & Clot Activator	Gel & Clot Activator	 Yellow	13x75	3.5/4	Glass/Plastic
				13x100	5/6/7	
				16x100	8/9/10	
Plasma Blood Collection Tubes	EDTA & NaF	EDTA & NaF	 Grey	13x75	2/3/4	Glass/Plastic
				13x100	5	
				/	/	
	Lithium Heparin	Lithium Heparin	 Green	13x75	2/3/4	Glass/Plastic
				13x100	5/6/7	
				16x100	8/9/10	
	Sodium Heparin	Sodium Heparin	 Green	13x75	2/3/4	Glass/Plastic
				13x100	5/6/7	
				16x100	8/9/10	
	Sodium Citrate	Sodium Citrate	 Blue	13x75	2/3/4	Glass/Plastic
				13x100	5/6/7	
				16x100	8/9/10	
Whole Blood Collection Tubes	K2EDTA	K2EDTA	 Purple	13x75	1/2/3/4	Glass/Plastic
				13x100	5/6/7	
				16x100	8/9/10	
	K3EDTA	K3EDTA	 Purple	13x75	1/2/3/4	Glass/Plastic
				13x100	5/6/7	
				16x100	8/9/10	
	Na2EDTA	Na2EDTA	 Purple	13x75	1/2/3/4	Glass/Plastic
				13x100	5/6/7	
				16x100	8/9/10	
	ESR	Sodium Citrate	 Black	13x75	1.6/2/3/4	Glass/Plastic
				8x120	1.6	
				/	/	





## Useful Tips

**Please pay special attention: the actual pipe diameter of our 13x75mm, 13x100mm pipe size is about 12.3mm. That is, 13x75mm is actually 12.3x75mm, and 13x100mm is actually 12.3x100mm. This is a common situation in the industry, not a quality issue.**

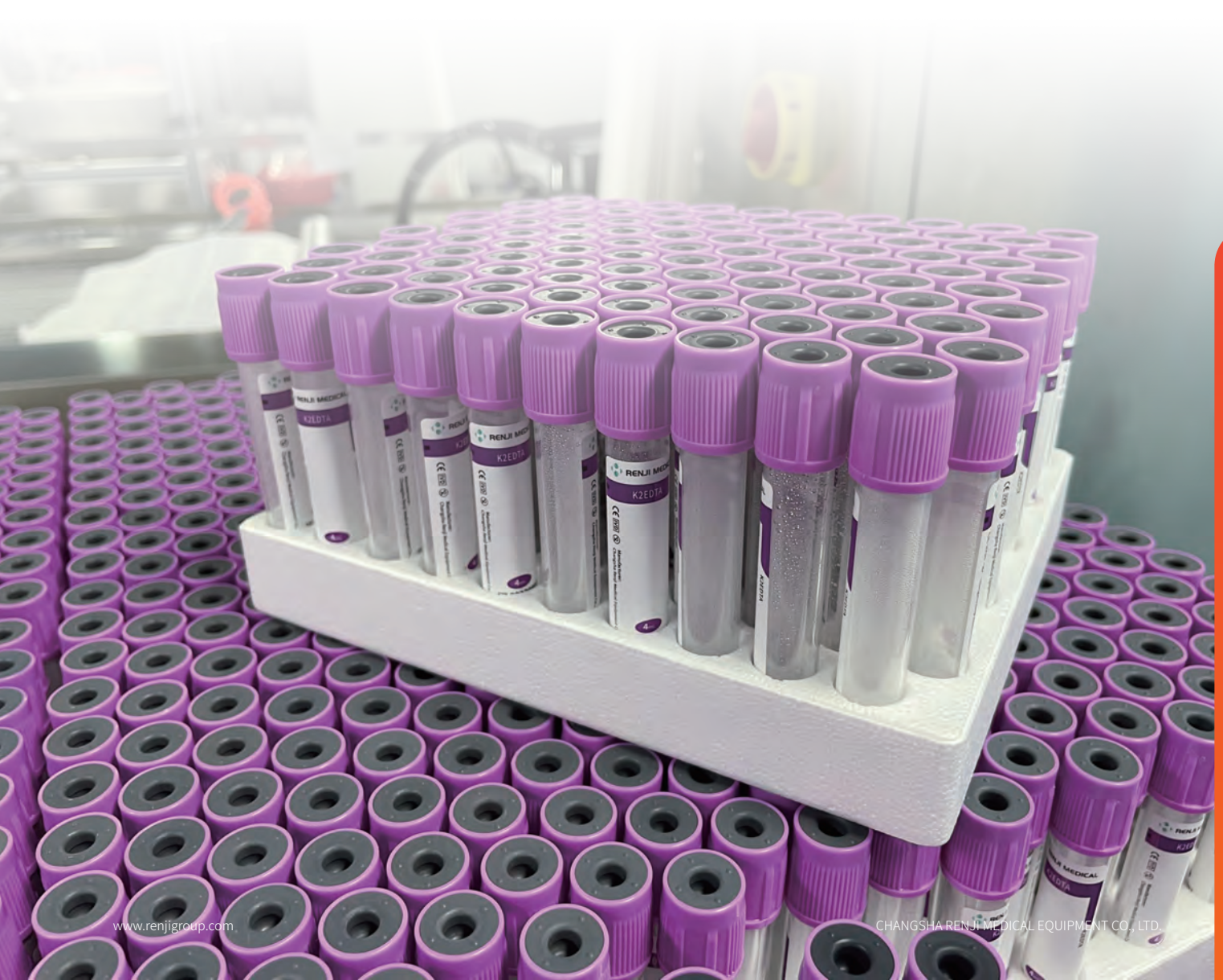
Renji blood collection tubes use paper labels by default, The product packing specification is 1200PCS/Carton.

In this booklet, REF refers to the unique number of the goods. It is also commonly called "Catalog number (Cat No.)", "Product Code", "Item No.", "Article No."

Renji can provide customized production, but usually requires large order quantities.

This booklet provides common types of blood collection tubes, if you need other additives or draw volume, please contact us.

If the content of this album is inconsistent with the product manual or the signed contract terms, please refer to the manual or contract terms.





## Clot Activator

Clot Activator Tubes are covered with clot activator powder to accelerate blood coagulation.

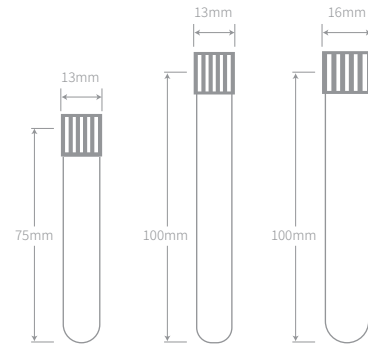
Silica (clot activator) is used as the activator. Serum is a substance freed from the fibrinogen but containing fragments of thrombocyte and product of the metabolism.

**Usage:** to research serum in the clinical chemistry, immunology, serology, protein electrophoresis.

**Specimen:** serum.

**Clotting time:** from 10 to 30 minutes.

**Conditions of centrifugation:** 1500-1800 g for 10 minutes.



REF	Additive	Cap Colour	Tube Size (mm)	Draw Volume (mL)	Tube Material	Pack/Carton	Label
RJ1804103-5P	Clot Activator	● Red	13x75	3.5mL	PET	100PCS/1200PCS	Paper/Transparent
RJ1804103-5G	Clot Activator	● Red	13x75	3.5mL	GLASS	100PCS/1200PCS	Paper/Transparent
RJ1804104-0P	Clot Activator	● Red	13x75	4mL	PET	100PCS/1200PCS	Paper/Transparent
RJ1804104-0G	Clot Activator	● Red	13x75	4mL	GLASS	100PCS/1200PCS	Paper/Transparent
RJ1804205-0P	Clot Activator	● Red	13x100	5mL	PET	100PCS/1200PCS	Paper/Transparent
RJ1804205-0G	Clot Activator	● Red	13x100	5mL	GLASS	100PCS/1200PCS	Paper/Transparent
RJ1804206-0P	Clot Activator	● Red	13x100	6mL	PET	100PCS/1200PCS	Paper/Transparent
RJ1804206-0G	Clot Activator	● Red	13x100	6mL	GLASS	100PCS/1200PCS	Paper/Transparent
RJ1804207-0P	Clot Activator	● Red	13x100	7mL	PET	100PCS/1200PCS	Paper/Transparent
RJ1804207-0G	Clot Activator	● Red	13x100	7mL	GLASS	100PCS/1200PCS	Paper/Transparent
RJ1804308-0P	Clot Activator	● Red	16x100	8mL	PET	100PCS/1200PCS	Paper/Transparent
RJ1804308-0G	Clot Activator	● Red	16x100	8mL	GLASS	100PCS/1200PCS	Paper/Transparent
RJ1804309-0P	Clot Activator	● Red	16x100	9mL	PET	100PCS/1200PCS	Paper/Transparent
RJ1804309-0G	Clot Activator	● Red	16x100	9mL	GLASS	100PCS/1200PCS	Paper/Transparent
RJ1804310-0P	Clot Activator	● Red	16x100	10mL	PET	100PCS/1200PCS	Paper/Transparent
RJ1804310-0G	Clot Activator	● Red	16x100	10mL	GLASS	100PCS/1200PCS	Paper/Transparent



VACUUM



## Gel & Clot Activator

As the activator it is used silica dioxide and biologically inert olefin gel.

Gel provides the separation of serum and clot up to 48 hours without re- centrifugation.

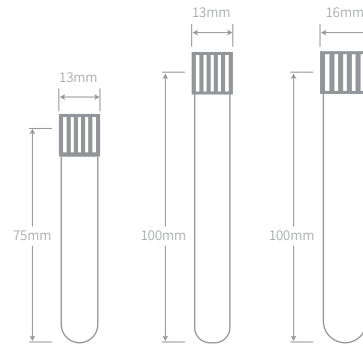
Gel is the special material intended for formation of barrier between cellular components of blood and serum during centrifugation.

**Usage:** to research serum in the clinical chemistry, immunology, serology, protein electrophoresis.

**Specimen:** serum.

**Clotting time:** from 5 to 30 minutes.

**Conditions of centrifugation:** 1800-2000 g for 10 minutes.



REF	Additive	Cap Colour	Tube Size (mm)	Draw Volume (mL)	Tube Material	Pack/Carton	Label
RJ1805103-5P	Gel & Clot Activator	● Yellow	13x75	3.5mL	PET	100PCS/1200PCS	Paper/Transparent
RJ1805103-5G	Gel & Clot Activator	● Yellow	13x75	3.5mL	GLASS	100PCS/1200PCS	Paper/Transparent
RJ1805104-0P	Gel & Clot Activator	● Yellow	13x75	4mL	PET	100PCS/1200PCS	Paper/Transparent
RJ1805104-0G	Gel & Clot Activator	● Yellow	13x75	4mL	GLASS	100PCS/1200PCS	Paper/Transparent
RJ1805205-0P	Gel & Clot Activator	● Yellow	13x100	5mL	PET	100PCS/1200PCS	Paper/Transparent
RJ1805205-0G	Gel & Clot Activator	● Yellow	13x100	5mL	GLASS	100PCS/1200PCS	Paper/Transparent
RJ1805206-0P	Gel & Clot Activator	● Yellow	13x100	6mL	PET	100PCS/1200PCS	Paper/Transparent
RJ1805206-0G	Gel & Clot Activator	● Yellow	13x100	6mL	GLASS	100PCS/1200PCS	Paper/Transparent
RJ1805207-0P	Gel & Clot Activator	● Yellow	13x100	7mL	PET	100PCS/1200PCS	Paper/Transparent
RJ1805207-0G	Gel & Clot Activator	● Yellow	13x100	7mL	GLASS	100PCS/1200PCS	Paper/Transparent
RJ1805308-0P	Gel & Clot Activator	● Yellow	16x100	8mL	PET	100PCS/1200PCS	Paper/Transparent
RJ1805308-0G	Gel & Clot Activator	● Yellow	16x100	8mL	GLASS	100PCS/1200PCS	Paper/Transparent
RJ1805309-0P	Gel & Clot Activator	● Yellow	16x100	9mL	PET	100PCS/1200PCS	Paper/Transparent
RJ1805309-0G	Gel & Clot Activator	● Yellow	16x100	9mL	GLASS	100PCS/1200PCS	Paper/Transparent
RJ1805310-0P	Gel & Clot Activator	● Yellow	16x100	10mL	PET	100PCS/1200PCS	Paper/Transparent
RJ1805310-0G	Gel & Clot Activator	● Yellow	16x100	10mL	GLASS	100PCS/1200PCS	Paper/Transparent



## K2EDTA

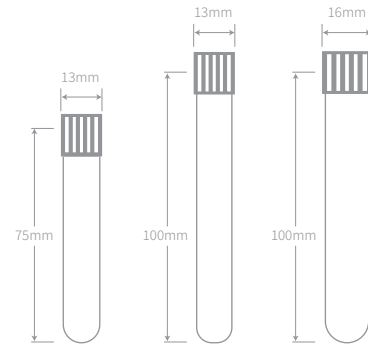
Intended to be used in hematology laboratory for withdrawing Whole blood or EDTA Plasma in order to examine various kinds of blood cells.

Tubes manufactured using transparent PET or Glass. Caps manufactured using polyethylene.

**Specimen:** whole blood.

After taking blood into the tube it should be mixed by turning 6-8 times. Lack of mixing can also cause platelet aggregation, coagulation or formation of micro clots.

■ In addition, we can provide EDTA blood collection tubes with Na<sub>2</sub>EDTA as additive. If you need to order, please contact our sales manager.



REF	Additive	Cap Colour	Tube Size (mm)	Draw Volume (mL)	Tube Material	Pack/Carton	Label
RJ1802101-0P	K2EDTA	Purple	13x75	1mL	PET	100PCS/1200PCS	Paper/Transparent
RJ1802101-0G	K2EDTA	Purple	13x75	1mL	GLASS	100PCS/1200PCS	Paper/Transparent
RJ1802102-0P	K2EDTA	Purple	13x75	2mL	PET	100PCS/1200PCS	Paper/Transparent
RJ1802102-0G	K2EDTA	Purple	13x75	2mL	GLASS	100PCS/1200PCS	Paper/Transparent
RJ1802103-0P	K2EDTA	Purple	13x75	3mL	PET	100PCS/1200PCS	Paper/Transparent
RJ1802103-0G	K2EDTA	Purple	13x75	3mL	GLASS	100PCS/1200PCS	Paper/Transparent
RJ1802104-0P	K2EDTA	Purple	13x75	4mL	PET	100PCS/1200PCS	Paper/Transparent
RJ1802104-0G	K2EDTA	Purple	13x75	4mL	GLASS	100PCS/1200PCS	Paper/Transparent
RJ1802205-0P	K2EDTA	Purple	13x100	5mL	PET	100PCS/1200PCS	Paper/Transparent
RJ1802205-0G	K2EDTA	Purple	13x100	5mL	GLASS	100PCS/1200PCS	Paper/Transparent
RJ1802206-0P	K2EDTA	Purple	13x100	6mL	PET	100PCS/1200PCS	Paper/Transparent
RJ1802206-0G	K2EDTA	Purple	13x100	6mL	GLASS	100PCS/1200PCS	Paper/Transparent
RJ1802207-0P	K2EDTA	Purple	13x100	7mL	PET	100PCS/1200PCS	Paper/Transparent
RJ1802207-0G	K2EDTA	Purple	13x100	7mL	GLASS	100PCS/1200PCS	Paper/Transparent
RJ1802308-0P	K2EDTA	Purple	16x100	8mL	PET	100PCS/1200PCS	Paper/Transparent
RJ1802308-0G	K2EDTA	Purple	16x100	8mL	GLASS	100PCS/1200PCS	Paper/Transparent
RJ1802309-0P	K2EDTA	Purple	16x100	9mL	PET	100PCS/1200PCS	Paper/Transparent
RJ1802309-0G	K2EDTA	Purple	16x100	9mL	GLASS	100PCS/1200PCS	Paper/Transparent
RJ1802310-0P	K2EDTA	Purple	16x100	10mL	PET	100PCS/1200PCS	Paper/Transparent
RJ1802310-0G	K2EDTA	Purple	16x100	10mL	GLASS	100PCS/1200PCS	Paper/Transparent

VACUUM



## K3EDTA

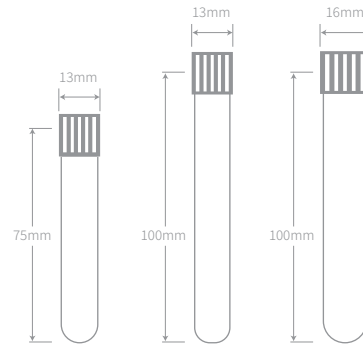
Intended to be used in hematology laboratory for withdrawing Whole blood or EDTA Plasma in order to examine various kinds of blood cells.

Tubes manufactured using transparent PET or Glass. Caps manufactured using polyethylene.

**Specimen:** whole blood.

After taking blood into the tube it should be mixed by turning 6-8 times. Lack of mixing can also cause platelet aggregation, coagulation or formation of micro clots.

In addition, we can provide EDTA blood collection tubes with Na<sub>2</sub>EDTA as additive. If you need to order, please contact our sales manager.



REF	Additive	Cap Colour	Tube Size (mm)	Draw Volume (mL)	Tube Material	Pack/Carton	Label
RJ1803101-0P	K3EDTA	Purple	13x75	1mL	PET	100PCS/1200PCS	Paper/Transparent
RJ1803101-0G	K3EDTA	Purple	13x75	1mL	GLASS	100PCS/1200PCS	Paper/Transparent
RJ1803102-0P	K3EDTA	Purple	13x75	2mL	PET	100PCS/1200PCS	Paper/Transparent
RJ1803102-0G	K3EDTA	Purple	13x75	2mL	GLASS	100PCS/1200PCS	Paper/Transparent
RJ1803103-0P	K3EDTA	Purple	13x75	3mL	PET	100PCS/1200PCS	Paper/Transparent
RJ1803103-0G	K3EDTA	Purple	13x75	3mL	GLASS	100PCS/1200PCS	Paper/Transparent
RJ1803104-0P	K3EDTA	Purple	13x75	4mL	PET	100PCS/1200PCS	Paper/Transparent
RJ1803104-0G	K3EDTA	Purple	13x75	4mL	GLASS	100PCS/1200PCS	Paper/Transparent
RJ1803205-0P	K3EDTA	Purple	13x100	5mL	PET	100PCS/1200PCS	Paper/Transparent
RJ1803205-0G	K3EDTA	Purple	13x100	5mL	GLASS	100PCS/1200PCS	Paper/Transparent
RJ1803206-0P	K3EDTA	Purple	13x100	6mL	PET	100PCS/1200PCS	Paper/Transparent
RJ1803206-0G	K3EDTA	Purple	13x100	6mL	GLASS	100PCS/1200PCS	Paper/Transparent
RJ1803207-0P	K3EDTA	Purple	13x100	7mL	PET	100PCS/1200PCS	Paper/Transparent
RJ1803207-0G	K3EDTA	Purple	13x100	7mL	GLASS	100PCS/1200PCS	Paper/Transparent
RJ1803308-0P	K3EDTA	Purple	16x100	8mL	PET	100PCS/1200PCS	Paper/Transparent
RJ1803308-0G	K3EDTA	Purple	16x100	8mL	GLASS	100PCS/1200PCS	Paper/Transparent
RJ1803309-0P	K3EDTA	Purple	16x100	9mL	PET	100PCS/1200PCS	Paper/Transparent
RJ1803309-0G	K3EDTA	Purple	16x100	9mL	GLASS	100PCS/1200PCS	Paper/Transparent
RJ1803310-0P	K3EDTA	Purple	16x100	10mL	PET	100PCS/1200PCS	Paper/Transparent
RJ1803310-0G	K3EDTA	Purple	16x100	10mL	GLASS	100PCS/1200PCS	Paper/Transparent



## Lithium Heparin

Heparin is a natural anticoagulant which presents in any healthy body. Heparin is used to take the plasma and in chemical researches.

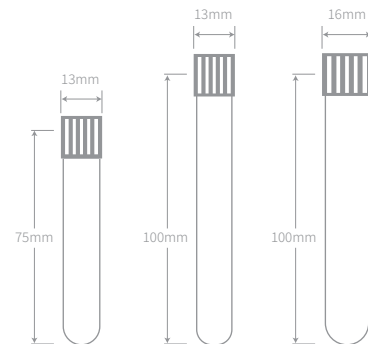
Heparin Blood Collection Tubes are intended to be used for analysis of blood withdrawn from patients under anticoagulant therapy.

The anticoagulant heparin activates antithrombin, thus blocking the coagulation cascade and producing a whole blood / plasma sample making it ideal for the analysis.

Tubes manufactured using transparent PET or Glass. Caps manufactured using polyethylene.

**Specimen:** heparin plasma.

**Conditions of centrifugation:** 1300 g for 10 minutes.



REF	Additive	Cap Colour	Tube Size (mm)	Draw Volume (mL)	Tube Material	Pack/Carton	Label
RJ1806102-0P	Lithium Heparin	● Green	13x75	2mL	PET	100PCS/1200PCS	Paper/Transparent
RJ1806102-0G	Lithium Heparin	● Green	13x75	2mL	GLASS	100PCS/1200PCS	Paper/Transparent
RJ1806103-0P	Lithium Heparin	● Green	13x75	3mL	PET	100PCS/1200PCS	Paper/Transparent
RJ1806103-0G	Lithium Heparin	● Green	13x75	3mL	GLASS	100PCS/1200PCS	Paper/Transparent
RJ1806104-0P	Lithium Heparin	● Green	13x75	4mL	PET	100PCS/1200PCS	Paper/Transparent
RJ1806104-0G	Lithium Heparin	● Green	13x75	4mL	GLASS	100PCS/1200PCS	Paper/Transparent
RJ1806205-0P	Lithium Heparin	● Green	13x100	5mL	PET	100PCS/1200PCS	Paper/Transparent
RJ1806205-0G	Lithium Heparin	● Green	13x100	5mL	GLASS	100PCS/1200PCS	Paper/Transparent
RJ1806206-0P	Lithium Heparin	● Green	13x100	6mL	PET	100PCS/1200PCS	Paper/Transparent
RJ1806206-0G	Lithium Heparin	● Green	13x100	6mL	GLASS	100PCS/1200PCS	Paper/Transparent
RJ1806207-0P	Lithium Heparin	● Green	13x100	7mL	PET	100PCS/1200PCS	Paper/Transparent
RJ1806207-0G	Lithium Heparin	● Green	13x100	7mL	GLASS	100PCS/1200PCS	Paper/Transparent
RJ1806308-0P	Lithium Heparin	● Green	16x100	8mL	PET	100PCS/1200PCS	Paper/Transparent
RJ1806308-0G	Lithium Heparin	● Green	16x100	8mL	GLASS	100PCS/1200PCS	Paper/Transparent
RJ1806309-0P	Lithium Heparin	● Green	16x100	9mL	PET	100PCS/1200PCS	Paper/Transparent
RJ1806309-0G	Lithium Heparin	● Green	16x100	9mL	GLASS	100PCS/1200PCS	Paper/Transparent
RJ1806310-0P	Lithium Heparin	● Green	16x100	10mL	PET	100PCS/1200PCS	Paper/Transparent
RJ1806310-0G	Lithium Heparin	● Green	16x100	10mL	GLASS	100PCS/1200PCS	Paper/Transparent



## Sodium Heparin

Heparin is a natural anticoagulant which presents in any healthy body. Heparin is used to take the plasma and in chemical researches.

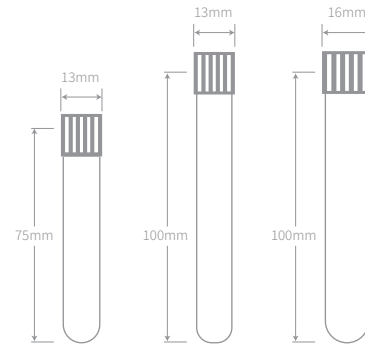
Heparin Blood Collection Tubes are intended to be used for analysis of blood withdrawn from patients under anticoagulant therapy.

The anticoagulant heparin activates antithrombin, thus blocking the coagulation cascade and producing a whole blood / plasma sample making it ideal for the analysis.

Tubes manufactured using transparent PET or Glass. Caps manufactured using polyethylene.

**Specimen:** heparin plasma.

**Conditions of centrifugation:** 1300 g for 10 minutes.



REF	Additive	Cap Colour	Tube Size (mm)	Draw Volume (mL)	Tube Material	Pack/Carton	Label
RJ1807102-0P	Sodium Heparin	● Green	13x75	2mL	PET	100PCS/1200PCS	Paper/Transparent
RJ1807102-0G	Sodium Heparin	● Green	13x75	2mL	GLASS	100PCS/1200PCS	Paper/Transparent
RJ1807103-0P	Sodium Heparin	● Green	13x75	3mL	PET	100PCS/1200PCS	Paper/Transparent
RJ1807103-0G	Sodium Heparin	● Green	13x75	3mL	GLASS	100PCS/1200PCS	Paper/Transparent
RJ1807104-0P	Sodium Heparin	● Green	13x75	4mL	PET	100PCS/1200PCS	Paper/Transparent
RJ1807104-0G	Sodium Heparin	● Green	13x75	4mL	GLASS	100PCS/1200PCS	Paper/Transparent
RJ1807205-0P	Sodium Heparin	● Green	13x100	5mL	PET	100PCS/1200PCS	Paper/Transparent
RJ1807205-0G	Sodium Heparin	● Green	13x100	5mL	GLASS	100PCS/1200PCS	Paper/Transparent
RJ1807206-0P	Sodium Heparin	● Green	13x100	6mL	PET	100PCS/1200PCS	Paper/Transparent
RJ1807206-0G	Sodium Heparin	● Green	13x100	6mL	GLASS	100PCS/1200PCS	Paper/Transparent
RJ1807207-0P	Sodium Heparin	● Green	13x100	7mL	PET	100PCS/1200PCS	Paper/Transparent
RJ1807207-0G	Sodium Heparin	● Green	13x100	7mL	GLASS	100PCS/1200PCS	Paper/Transparent
RJ1807308-0P	Sodium Heparin	● Green	16x100	8mL	PET	100PCS/1200PCS	Paper/Transparent
RJ1807308-0G	Sodium Heparin	● Green	16x100	8mL	GLASS	100PCS/1200PCS	Paper/Transparent
RJ1807309-0P	Sodium Heparin	● Green	16x100	9mL	PET	100PCS/1200PCS	Paper/Transparent
RJ1807309-0G	Sodium Heparin	● Green	16x100	9mL	GLASS	100PCS/1200PCS	Paper/Transparent
RJ1807310-0P	Sodium Heparin	● Green	16x100	10mL	PET	100PCS/1200PCS	Paper/Transparent
RJ180710-0G	Sodium Heparin	● Green	16x100	10mL	GLASS	100PCS/1200PCS	Paper/Transparent



## EDTA & NaF

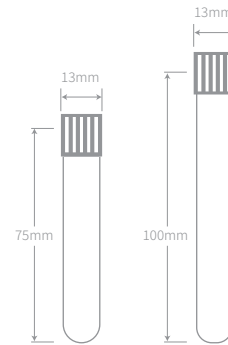
EDTA & NaF Blood Collection Tubes is also called blood glucose tube or fluoride tube. EDTA & NaF Blood Collection Tubes are intended to be used for specially glucose blood tests.

Tubes are recommended for glucose analysis when transportation time is crucial. Tubes contain fluoride as a glycolysis inhibitor and EDTA as anticoagulant.

**Usage:** EDTA & NaF Tubes are used for glucose determinations like blood sugar, sugar tolerance.

**Specimen:** plasma.

**Conditions of centrifugation:** 1300 g for 10 minutes. Centrifugation should be made right after taking the blood into the tubes.



REF	Additive	Cap Colour	Tube Size (mm)	Draw Volume (mL)	Tube Material	Pack/Carton	Label
RJ1808102-0P	EDTA & NaF	● Grey	13x75	2mL	PET	100PCS/1200PCS	Paper/Transparent
RJ1808102-0G	EDTA & NaF	● Grey	13x75	2mL	GLASS	100PCS/1200PCS	Paper/Transparent
RJ1808103-0P	EDTA & NaF	● Grey	13x75	3mL	PET	100PCS/1200PCS	Paper/Transparent
RJ1808103-0G	EDTA & NaF	● Grey	13x75	3mL	GLASS	100PCS/1200PCS	Paper/Transparent
RJ1808104-0P	EDTA & NaF	● Grey	13x75	4mL	PET	100PCS/1200PCS	Paper/Transparent
RJ1808104-0G	EDTA & NaF	● Grey	13x75	4mL	GLASS	100PCS/1200PCS	Paper/Transparent
RJ1808205-0P	EDTA & NaF	● Grey	13x100	5mL	PET	100PCS/1200PCS	Paper/Transparent
RJ1808205-0G	EDTA & NaF	● Grey	13x100	5mL	GLASS	100PCS/1200PCS	Paper/Transparent

VACUUM



## Sodium Citrate

Sodium Citrate Blood Collection Tubes are also known as Coagulation Tubes or Citrate Tubes. Sodium Citrate Blood Collection Tubes are used to collect venous blood for coagulation tests.

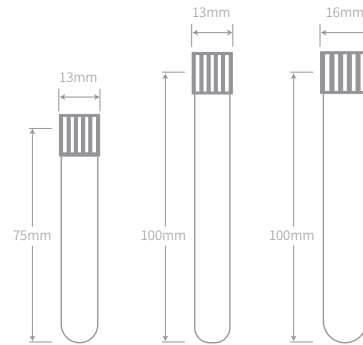
Sodium Citrate Tubes have a buffered sodium citrate solution of 0.109 mol/l (3.2%) or 0.129 mol/l (3.8%).

**Usage:** to research the hemostatic system.

**Specimen:** plasma.

**Conditions of centrifugation:** 2000-2500 g for 10-15 minutes.

Immediately after taking the blood into the tube with citrate it must be carefully mixed at least 5 times to prevent micro clots.



REF	Additive	Cap Colour	Tube Size (mm)	Draw Volume (mL)	Tube Material	Pack/Carton	Label
RJ1809101-8P	Sodium Citrate	Blue	13x75	1.8mL	PET	100PCS/1200PCS	Paper/Transparent
RJ1809101-8G	Sodium Citrate	Blue	13x75	1.8mL	GLASS	100PCS/1200PCS	Paper/Transparent
RJ1809102-0P	Sodium Citrate	Blue	13x75	2mL	PET	100PCS/1200PCS	Paper/Transparent
RJ1809102-0G	Sodium Citrate	Blue	13x75	2mL	GLASS	100PCS/1200PCS	Paper/Transparent
RJ1809103-0P	Sodium Citrate	Blue	13x75	3mL	PET	100PCS/1200PCS	Paper/Transparent
RJ1809103-0G	Sodium Citrate	Blue	13x75	3mL	GLASS	100PCS/1200PCS	Paper/Transparent
RJ1809104-0P	Sodium Citrate	Blue	13x75	4mL	PET	100PCS/1200PCS	Paper/Transparent
RJ1809104-0G	Sodium Citrate	Blue	13x75	4mL	GLASS	100PCS/1200PCS	Paper/Transparent
RJ1809205-0P	Sodium Citrate	Blue	13x100	5mL	PET	100PCS/1200PCS	Paper/Transparent
RJ1809205-0G	Sodium Citrate	Blue	13x100	5mL	GLASS	100PCS/1200PCS	Paper/Transparent
RJ1809206-0P	Sodium Citrate	Blue	13x100	6mL	PET	100PCS/1200PCS	Paper/Transparent
RJ1809206-0G	Sodium Citrate	Blue	13x100	6mL	GLASS	100PCS/1200PCS	Paper/Transparent
RJ1809207-0P	Sodium Citrate	Blue	13x100	7mL	PET	100PCS/1200PCS	Paper/Transparent
RJ1809207-0G	Sodium Citrate	Blue	13x100	7mL	GLASS	100PCS/1200PCS	Paper/Transparent
RJ1809308-0P	Sodium Citrate	Blue	16x100	8mL	PET	100PCS/1200PCS	Paper/Transparent
RJ1809308-0G	Sodium Citrate	Blue	16x100	8mL	GLASS	100PCS/1200PCS	Paper/Transparent
RJ1809309-0P	Sodium Citrate	Blue	16x100	9mL	PET	100PCS/1200PCS	Paper/Transparent
RJ1809309-0G	Sodium Citrate	Blue	16x100	9mL	GLASS	100PCS/1200PCS	Paper/Transparent
RJ1809310-0P	Sodium Citrate	Blue	16x100	10mL	PET	100PCS/1200PCS	Paper/Transparent
RJ1809310-0G	Sodium Citrate	Blue	16x100	10mL	GLASS	100PCS/1200PCS	Paper/Transparent



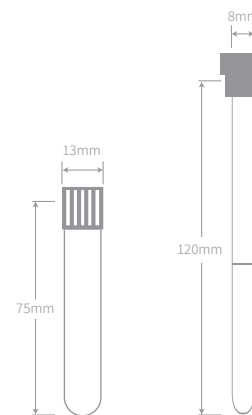
## ESR

ESR Tubes contain 3.2% sodium citrate for ESR test. ESR measurements refer to the Westergren method.

The tubes are available with an open or closed sedimentation system.

**Usage:** ESR Blood Collection Tubes are intended to be exclusively used for venous blood collection for determination of the Erythrocyte Sedimentation Rate.

**Specimen:** whole blood.



REF	Additive	Cap Colour	Tube Size (mm)	Draw Volume (mL)	Tube Material	Pack/Carton	Label
RJ1810101-6P	Sodium Citrate	● Black	13x75	1.6mL	PET	100PCS/1200PCS	Paper/Transparent
RJ1810101-6G	Sodium Citrate	● Black	13x75	1.6mL	GLASS	100PCS/1200PCS	Paper/Transparent
RJ1810102-0P	Sodium Citrate	● Black	13x75	2mL	PET	100PCS/1200PCS	Paper/Transparent
RJ1810102-0G	Sodium Citrate	● Black	13x75	2mL	GLASS	100PCS/1200PCS	Paper/Transparent
RJ1810103-0P	Sodium Citrate	● Black	13x75	3mL	PET	100PCS/1200PCS	Paper/Transparent
RJ1810103-0G	Sodium Citrate	● Black	13x75	3mL	GLASS	100PCS/1200PCS	Paper/Transparent
RJ1810104-0P	Sodium Citrate	● Black	13x75	4mL	PET	100PCS/1200PCS	Paper/Transparent
RJ1810104-0G	Sodium Citrate	● Black	13x75	4mL	GLASS	100PCS/1200PCS	Paper/Transparent
RJ1810401-6P	Sodium Citrate	● Black	13x75	1.6mL	PET	100PCS/1200PCS	Paper/Transparent
RJ1810401-6G	Sodium Citrate	● Black	13x75	1.6mL	GLASS	100PCS/1200PCS	Paper/Transparent



**VACUUM**



## No Additive

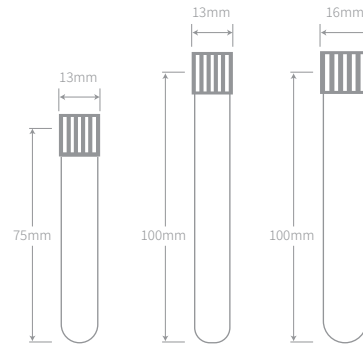
Plain Without Additives Blood Collection Tubes are intended to be used in laboratory mainly for biochemistry, immunological & serological tests.

**Usage:** researches of biological fluids in clinical chemistry, serology, immunology.

**Specimen:** serum or other biological fluids.

**Clotting time:** 60 minutes.

**Conditions of centrifugation:** 1300 g for 10 minutes. Before centrifuging the tubes with serum it is necessary to wait until blood clotting



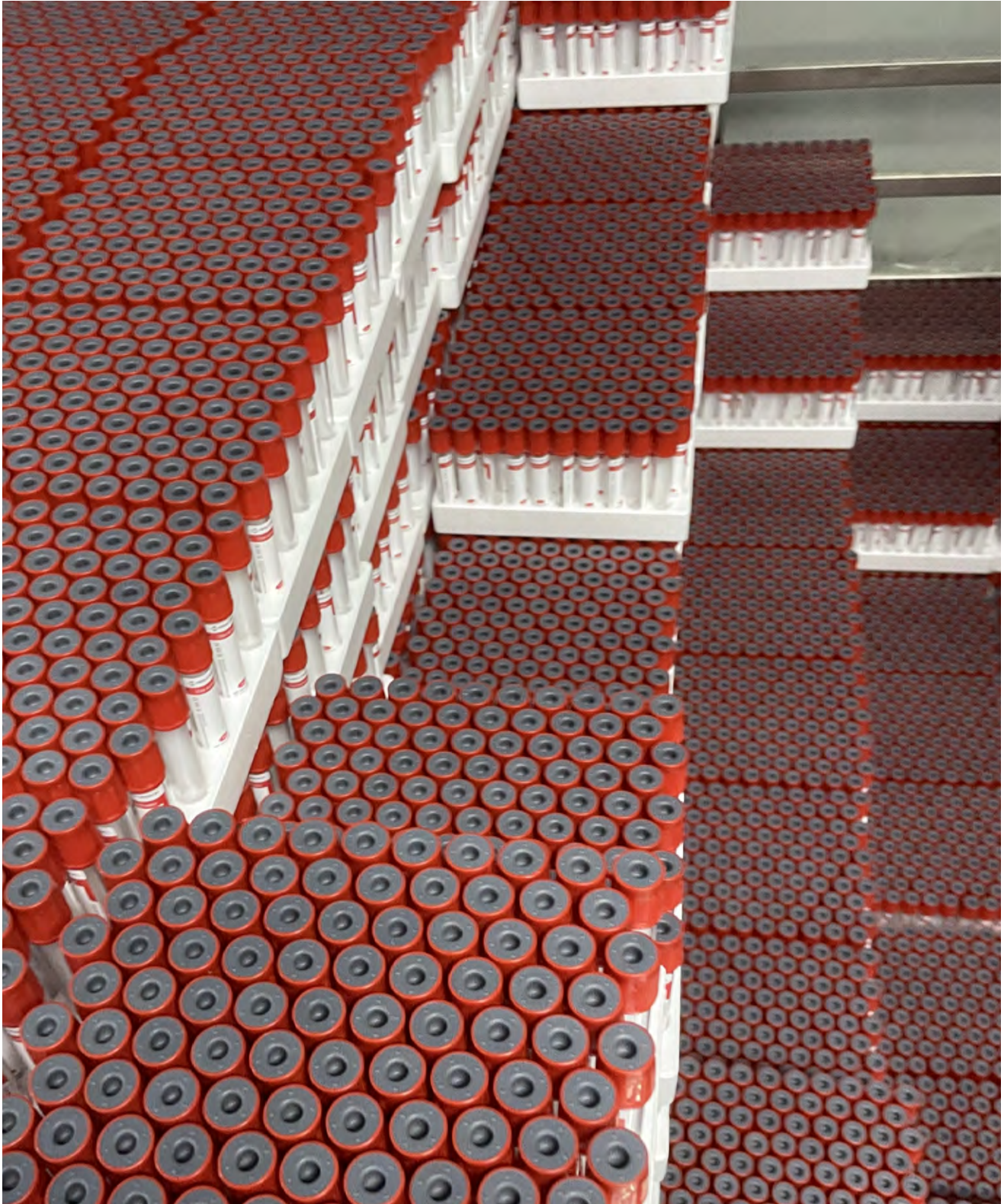
REF	Additive	Cap Colour	Tube Size (mm)	Draw Volume (mL)	Tube Material	Pack/Carton	Label
RJ1800101-0P	No Additive	● RED	13x75	1mL	PET	100PCS/1200PCS	Paper/Transparent
RJ1800101-0G	No Additive	● RED	13x75	1mL	GLASS	100PCS/1200PCS	Paper/Transparent
RJ1800102-0P	No Additive	● RED	13x75	2mL	PET	100PCS/1200PCS	Paper/Transparent
RJ1800102-0G	No Additive	● RED	13x75	2mL	GLASS	100PCS/1200PCS	Paper/Transparent
RJ1800103-0P	No Additive	● RED	13x75	3mL	PET	100PCS/1200PCS	Paper/Transparent
RJ1800103-0G	No Additive	● RED	13x75	3mL	GLASS	100PCS/1200PCS	Paper/Transparent
RJ1800104-0P	No Additive	● RED	13x75	4mL	PET	100PCS/1200PCS	Paper/Transparent
RJ1800104-0G	No Additive	● RED	13x75	4mL	GLASS	100PCS/1200PCS	Paper/Transparent
RJ1800205-0P	No Additive	● RED	13x100	5mL	PET	100PCS/1200PCS	Paper/Transparent
RJ1800205-0G	No Additive	● RED	13x100	5mL	GLASS	100PCS/1200PCS	Paper/Transparent
RJ1800206-0P	No Additive	● RED	13x100	6mL	PET	100PCS/1200PCS	Paper/Transparent
RJ1800206-0G	No Additive	● RED	13x100	6mL	GLASS	100PCS/1200PCS	Paper/Transparent
RJ1800207-0P	No Additive	● RED	13x100	7mL	PET	100PCS/1200PCS	Paper/Transparent
RJ1800207-0G	No Additive	● RED	13x100	7mL	GLASS	100PCS/1200PCS	Paper/Transparent
RJ1800308-0P	No Additive	● RED	16x100	8mL	PET	100PCS/1200PCS	Paper/Transparent
RJ1800308-0G	No Additive	● RED	16x100	8mL	GLASS	100PCS/1200PCS	Paper/Transparent
RJ1800309-0P	No Additive	● RED	16x100	9mL	PET	100PCS/1200PCS	Paper/Transparent
RJ1800309-0G	No Additive	● RED	16x100	9mL	GLASS	100PCS/1200PCS	Paper/Transparent
RJ1800310-0P	No Additive	● RED	16x100	10mL	PET	100PCS/1200PCS	Paper/Transparent
RJ1800310-0G	No Additive	● RED	16x100	10mL	GLASS	100PCS/1200PCS	Paper/Transparent

## Non Vacuum Blood Collection Tubes & Micro Blood Collection Tubes

Renji also provides products such as non-vacuum blood collection tubes, PRP, ACD and micro blood collection tubes.

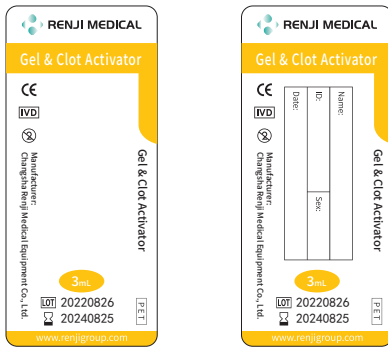
Since we have our own plastic factory, we even offer blood collection tube accessories for sale. (Blood collection tube cover and empty blood collection tube).

You can log in to our official website for more information, or contact our sales manager directly.



# Provides Two Styles Of Labels

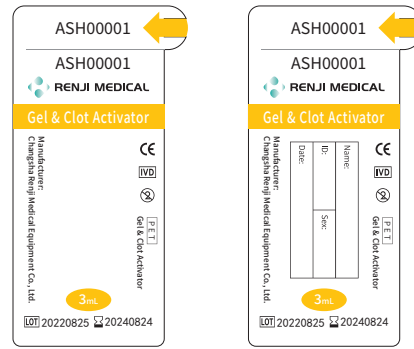
Standard Label



A

B

Double Code Label

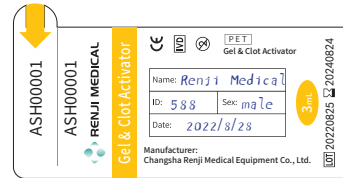


A

B



- A** Reserve a suitable blank area, which is convenient for sticking your own barcode, which is suitable for digital medical treatment.



- B** A general basic information form is reserved, and the information of the blood sampled person can be written by hand, which is simple and convenient.

Opting for dual-code labels may require a higher order price and longer lead times.

\* in this directory is an example of the label, the manufacturer can change the appearance of the labels



# Product Photos



# Product Packaging

## RENJI BLOOD COLLECTION TUBES

# DURABLE AND RELIABLE PACKAGING





**Scan the QR code above or click the link below to view the production introduction of Renji blood collection tubes.**

<https://www.renjigroup.com/videos/bct>

# RENJI MEDICAL

TO PROVIDE YOU WITH HIGH-QUALITY  
BLOOD COLLECTION TUBE PRODUCTS





Changsha Renji Medical Equipment Co., Ltd.

 TEL: +86 731-83075656

 Website: <https://www.renjigroup.com/>

 Factory ADD: Workshop 201, Stage 4, Changsha E Center, No.18 Xiangtai Road, Liuyang Jingkai District, Changsha City, Hunan Province, China.

 Sales Office: R.1403, Wangdefu Kaiyue International Building, No. 526 Sanyi Avenue, Changsha City, Hunan Province, China.

The copyright of this manual belongs to Changsha Renji Medical Equipment Co., Ltd. Without the written permission of the company, no other individual or organization may copy, copy, edit or translate the contents of this manual into other languages in any form. All trademarks or logos in this manual belong to Changsha Renji Medical Equipment Co., Ltd. and its suppliers.

Version: August 2022 | RJ@HUJ

The information on which this manual is based is as of August 20, 2022. All contents are for reference only, and do not constitute any commitment or guarantee of the company. The final signed contract shall prevail.